

6HYM-WET

S-rating 515kW (700hp)
(For planing hull)

YANMAR

MARINE
PROPULSION
DIESEL ENGINE



- 6-cylinder, direct injection, heat exchanger cooling.
- Twin-turbocharger + intercooler.
- Available either with marine gear or without marine gear.
- 4-valves per cylinder for higher combustion efficiency.
- Conform to IMO Tier II emissions regulations.

Specifications

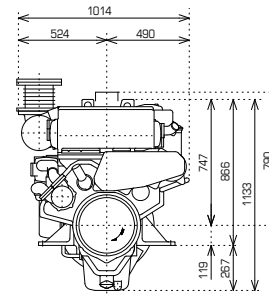
Model	6HYM-WET S-rating		
Number of cylinders	6 in-line		
Bore × stroke	mm	132.9 × 165	
Displacement	lit.	13.733	
Rated output	kW(hp)/rpm	515(700)/2200	
Combustion system	Direct injection		
Aspiration	Turbocharger + intercooler		
Starting system	Electric starting motor (24V 6.0kW)		
Cooling system	Heat exchanger		
Size of flywheel housing and flywheel	SAE # 1 and 14 in.		
Dry mass	kg	1385(without marine gear)	
Dimensions (L×W×H)	mm	1556 × 1014 × 1133	

Marine gear specifications

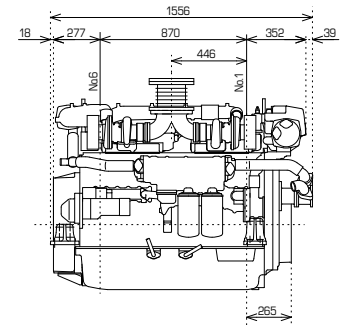
Engine model : 6HYM-WET S-rating			
Model	YXH-160		
Type	Hydraulic multi-disc clutch		
Reduction ratio (Ahead)	1.97	2.46	3.05
Direction of rotation (propeller shaft)	Clockwise or counterclockwise		
Dry weight	kg	390	

Dimensions Unit:mm

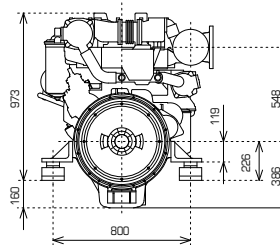
Engine only / Front view



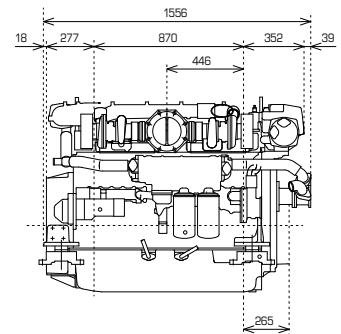
Engine only / Right side view



Engine only / Rear view



Engine only / Right side view



Performance curves

