



6LY2M-WDT / WST SERIES

Configuration	4-stroke, vertical, water-cooled diesel engine	
Maximum output at crankshaft	* 259 kW (352mhp) @3200 rpm	* 294 kW (400mhp) @3200 rpm
	** 243 kW (330mhp) @3200 rpm	** 277 kW (376mhp) @3200 rpm
Displacement	5.813 L	[354 cu in]
Bore x stroke	106 mm x 110 mm	[4.17 in x 4.33 in]
Cylinders	In-line	
Combustion system	Direct injection	
Aspiration	Turbocharged with watercooled turbine housing	
Starting system	Electric starting 24V - 4 kW	
Alternator	12V - 80A	
Cooling system	Fresh water cooling by centrifugal fresh water pump and rubber impeller seawater pump	
Lubrication system	Enclosed, forced lubricating system	
Direction of rotation [crankshaft]	Counterclockwise viewed from stern	
Dry weight without gear	535 kg	[1179 lbs]
Emission compliance	Tier 2	
Engine mounting	Rigid (option: Rubber type flexible mounting)	

NOTE:

Fuel condition: Density at 15°C = 0.84 g/cm³; 1 kW = 1.3596 mhp = 1.3410 HP

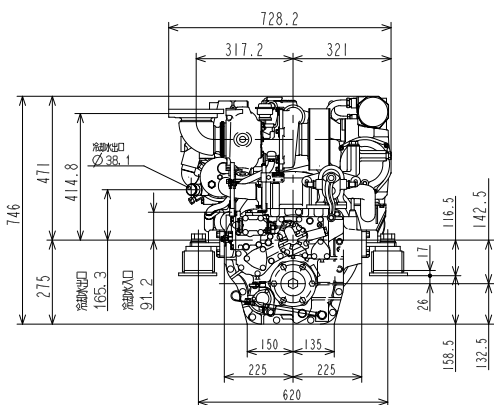
* Fuel temperature 25°C at the inlet of the fuel injection pump [ISO 3046-1]

** Fuel temperature 40°C at the inlet of the fuel injection pump [ISO 8665: 2006]

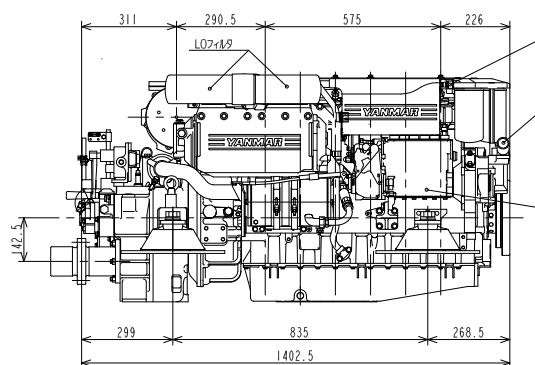
Technical data is according to ISO 8665: 2006/3046-1

DIMENSIONS

Rear view



Right side view

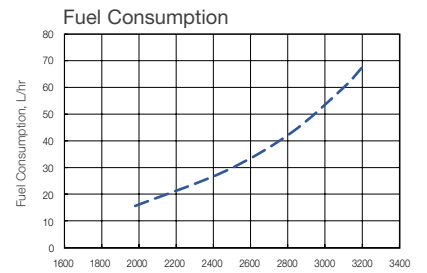
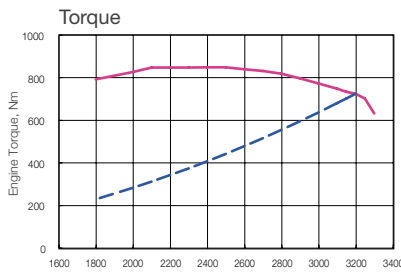
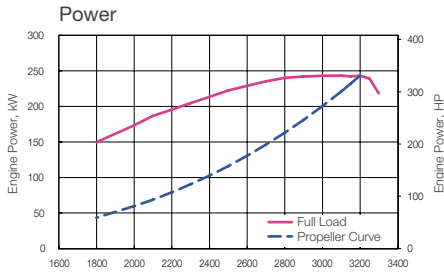


6LY2M-WDT / WST (with YX-50S Marine Gearbox)

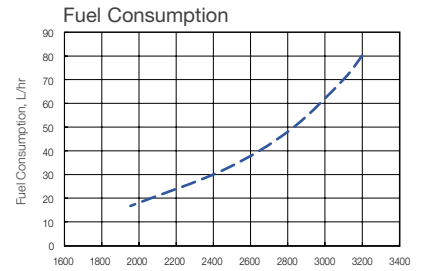
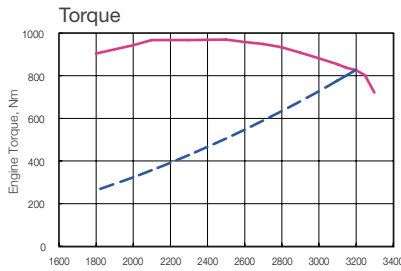
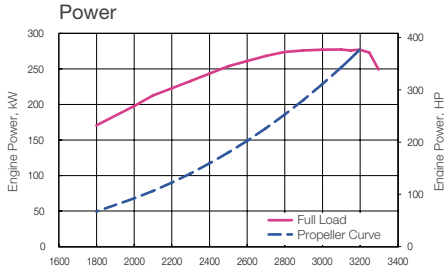


PERFORMANCE CURVES

6LY2M-WDT



6LY2M-WST



MARINE GEARS / DRIVE*

Model	YX-50S			
Type	Hydraulically actuated multi-disc clutch			
Dry weight **	117 kg [258 lbs]			
Reduction Ratio [fwd/rev]	2.04/2.04	2.48/2.48	2.88/2.88	
Propeller speed [fwd/rev]	2065/2065	1589/1589	1290/1290	1111/1111
Direction of rotation (viewed from stern)	Clockwise or Counterclockwise			
Dry weight engine and gear/drive**	643 kg [1415 lbs]			
Length engine and gear/drive	1462 mm [57.5 in]			

* Other marine gearboxes and configurations available upon request. Contact your local supplier for more information.
 ** Dry weight including cooler, brackets & damper disk.

ACCESSORIES

Standard engine package

- Rigid mounting
- Alternator 24V - 1080W
- L-type Mixing Elbow
- Engine stop device
- Instrument panel D-type
- Deep sump
- Duplex fuel filter

Optional accessories

- Flexible mounts (YT)
- Riser type Mixing Elbow [C.W hose]
- Electric bilge pump
- Kingston cock
- 2 poles electric wiring
- Lub oil evacuation pump
- Exhaust Bellows
- YX50S marine gear
- IMO NOx Certificate
- Intake air heater
- Dry exhaust
- Remote control head
- Breather hose to intake air

NOTE: All data subject to change without notice. Text and illustrations are not binding.