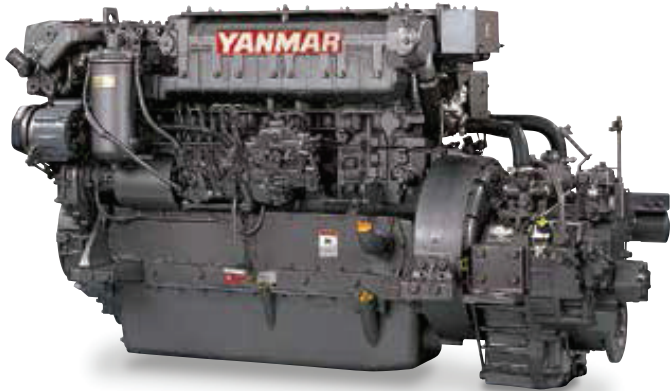


6HYM-WET

M-rating 441kW (600mhp)
L-rating 478kW (650mhp)



- 6-cylinder, direct injection, heat exchanger cooling.
- Twin-turbocharger + intercooler.
- Available either with marine gear or without marine gear.
- 4-valves per cylinder for higher combustion efficiency.
- Conform to IMO Tier II emissions regulations.

Specifications

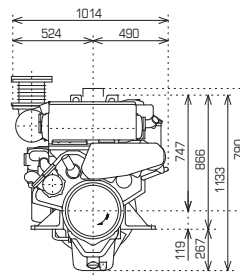
Model	6HYM-WET M-rating / L-rating		
Number of cylinders	6 in-line		
Bore × stroke	mm	132.9 × 165	
Displacement	lit.	13.733	
Rated output	kW(hp)/rpm	M : 441(600)/2100 L : 478(650)/2150	
Combustion system	Direct injection		
Aspiration	Turbocharger + intercooler		
Starting system	Electric starting motor (24V 6.0kW)		
Cooling system	Heat exchanger		
Size of flywheel housing and flywheel	SAE # 1 and 14 in.		
Dry mass	kg	1385(without marine gear)	
Dimensions (L × W × H)	mm	1556 × 1014 × 1133	

Marine gear specifications

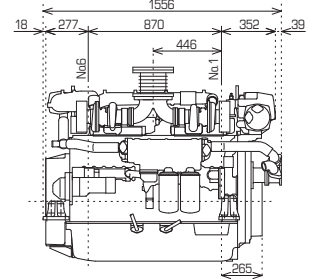
Engine model : 6HYM-WET M-rating / L-rating						
Model	YXH160	YX161L				
Type	Hydraulic multi-disc clutch					
Reduction ratio (Ahead)	1.97	2.46	3.05	3.65	4.08	4.55
Direction of rotation (propeller shaft)	Clockwise or counterclockwise					
Dry weight	kg	396		620		

Dimensions Unit:mm

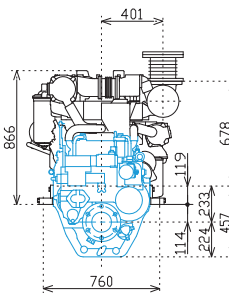
Engine only / Front view



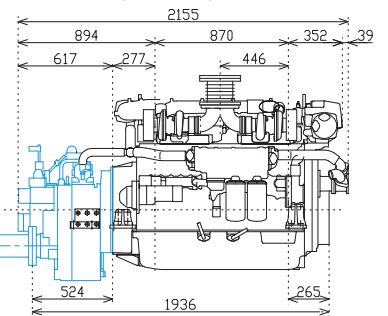
Engine only / Right side view



With YXH160 gearbox / Rear view



With YXH160 gearbox / Right side view



- Marine gear

Performance curves

